

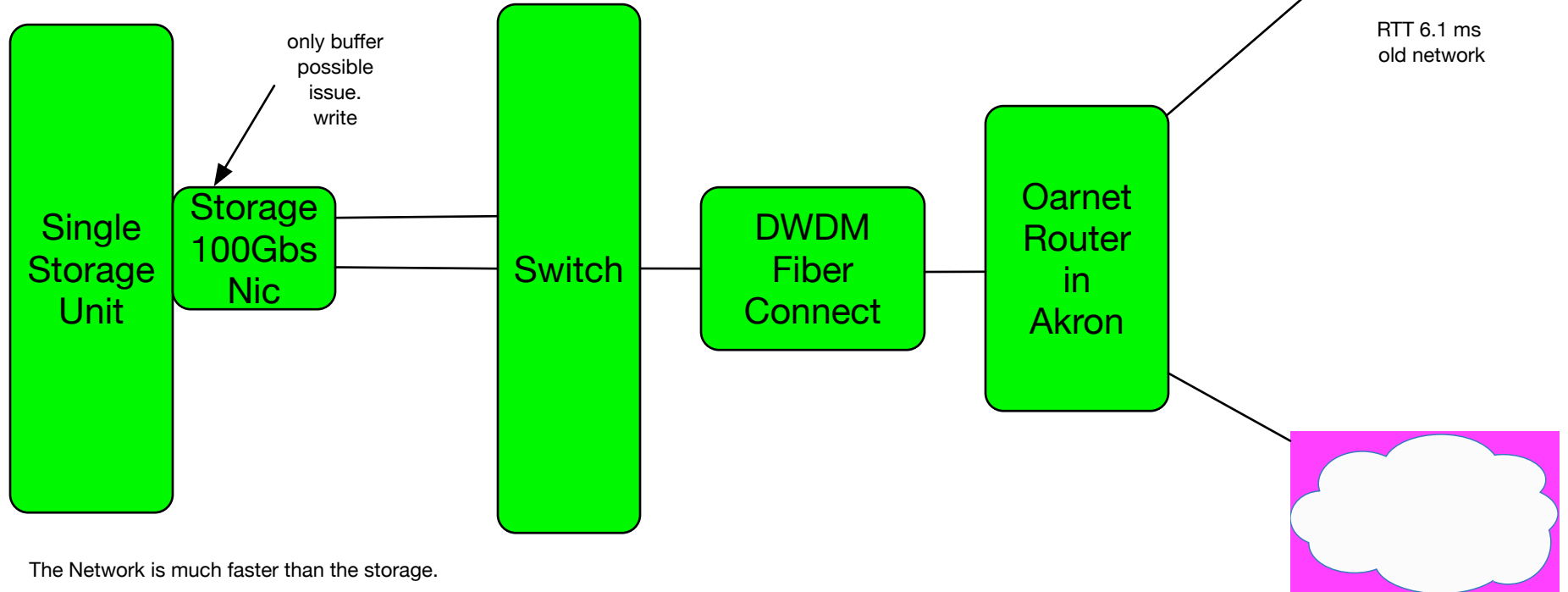
# KSU Latency Diagram

## Terms

Latency- RTT the time it takes a packet to do a round trip to the destination.

Jitter - Packet Delay caused by buffers and network traffic

Best Case Storage  
Read Write Speeds  
Reads 24 Gb/s  
Writes 11.2 Gb/s



The Network is much faster than the storage.

With cut-through and this being a layer 2 connection we should see Latency < 1ms. 750ns



Max though put is 24 Gb/s